



AA10 Series

Temperature Transmitter,
Resistive to 4-20mA

Product Overview

The AA10 Series temperature-to-current transmitter is designed for use with 100R platinum, 1k platinum, 10k Type 2, and 10k Type 3 external resistive output devices. When the resistive output from the external device is connected to the AA10 input terminal, the resistive value is converted to a 4-20 mA signal compatible with most building control systems.

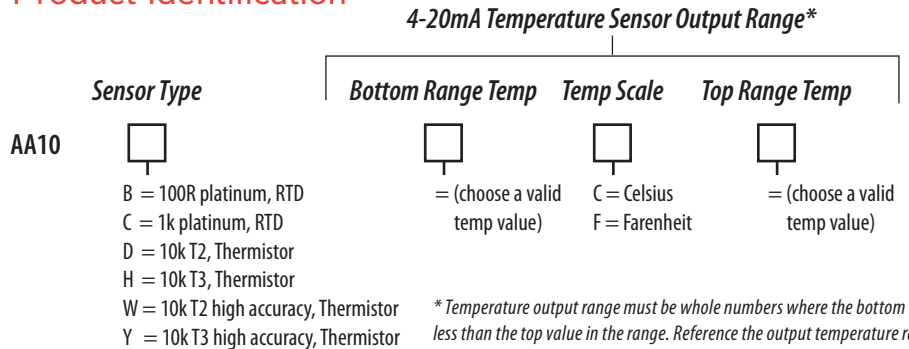


NOTICE

- This product is a Class 2 device.
- This product is not intended for life or safety applications.
- Do not install this product in hazardous or classified locations.
- Read and understand the instructions before installing this product.
- Turn off all power supplying equipment before working on it.
- The installer is responsible for conformance to all applicable codes.

No responsibility is assumed by Veris Industries for any consequences arising out of the use of this material.

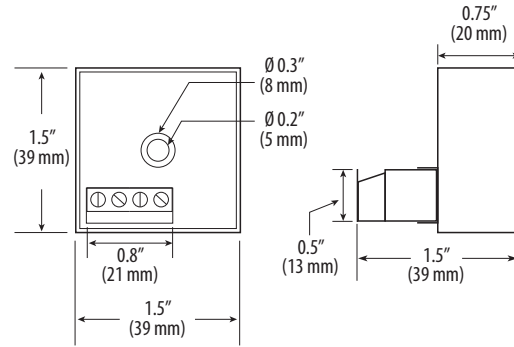
Product Identification



Specifications

Current Loop	Class 2; 2-wire, loop powered 4-20mA; 9-30VDC
Transmitter Accuracy	±1% of span or ±0.1°C, whichever is greater (does not include accuracy of resistive element in external temperature device)
Transmitter Operating Temperature Range	-15° to 50°C (5° to 122°F)
Output Temperature Ranges	B and C sensor types: -50° to 150°C (-58° to 302°F); D, H, W and Y sensor types: -25° to 105°C (-13° to 221°F)
Connectors	2 pluggable terminal block connectors
Encapsulation	Epoxy encapsulated
Limited Warranty	5 years

Dimensions



Installation

1. To mount the AA10 to a surface, use a #6 or #8 pan head sheet metal screw (not included). Remove the terminal block connector before mounting, as the connector may partially block access to the mounting hole.
2. Wire the terminal block to the external temperature device as shown. Replace the connector in the AA10 receptacle.

4-20 mA Output

